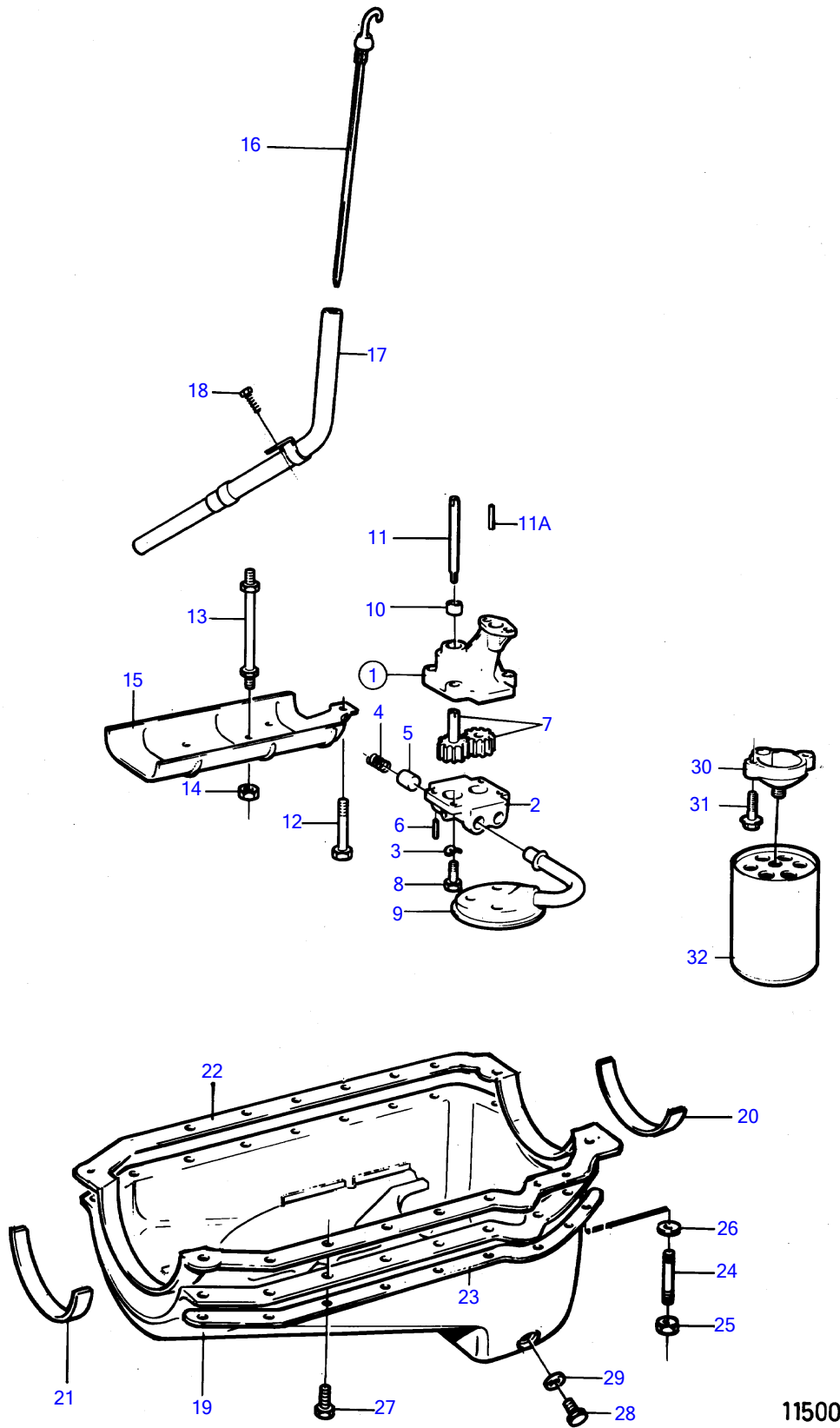


570A, 572A



11500

570A, 572A

REF	PART NO.	QTY	DESCRIPTION	SEE SEC.	NOTES
1	856064	1	Oil pump		Oil pump 856390 is sold only as a complete unit, Repl by 856390
2		1	• cover		
3	941906	4	• Spring washer		
4	856065	1	• Spring		
5	(835376)	1	• Spring		Obsolete part
6	(835378)	1	• Spring catch		Obsolete part
7		2	• gear		
8	(835379)	4	• Screw		Obsolete part
9	835372	1	Oil strainer		
10	835374	1	Sleeve		
11	835373	1	Shaft		
11A	835040	1	Locating pin		
12	955550	1	Hexagon screw		(835082)
13	835038	5	Stud	12444	
14	835368	5	Nut		
15	841734	1	Baffle plate		
16	(835414)	1	Oil dipstick		Obsolete part
17	841544	1	Tube		
18	955512	1	Hexagon screw		
19	856437	1	Sump		(855826)
20	841721	1	Gasket kit		(835411)
21	834774	1	Seal		Repl by 841721
22	855819	1	Gasket		
23	855817	1	Reinforcing plate		Right SIDE
	855818	1	Reinforcing plate		Left side
24	855808	8	Stud		
25	855596	8	Nut		
26	855593	4	Washer		
27	855821	14	Screw		Repl by 940100+955893
28	841215	1	Plug		
29	856295	1	Gasket		(818688)
30	835423	1	Anchorage		
31	(835502)	2	Screw		Obsolete part
32	835440	1	Oil filter		
			Bulletin P-21-7-1	P-21-7-1-EN	Oil Filters, GM gas engines

7736260-21-12467

11500

Upd:2014-10-28